

Part No. 99-0023:N

RL 60N

Hydropneumatic tool for installation of blind rivets from 4 to 8 mm

Scope of use:

Ø of the rivet	3 / 3.2	4	4.8 / 5	6	6.4*	8
Aluminium, Copper, Brass		✓	✓	✓	✓	✓
Steel		✓	✓	✓	✓	
Stainless		✓	✓	✓	✓	

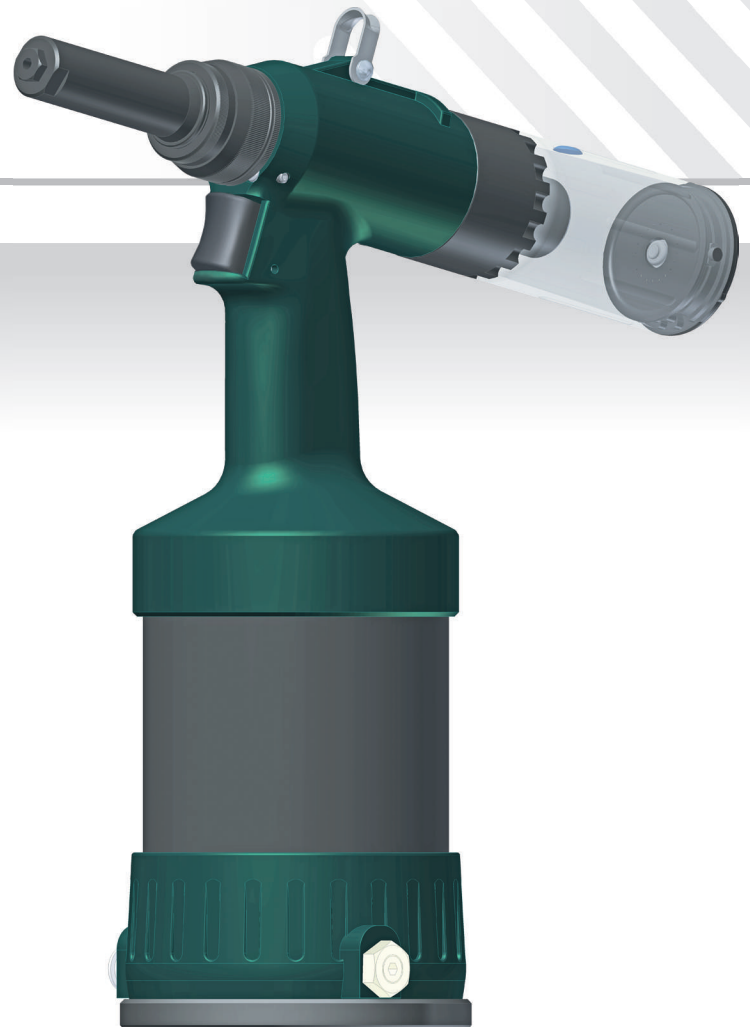
Nosepieces included:

	✓	✓	✓	✓	
--	---	---	---	---	--

* structural rivets: TIBULB, M-LOCK, MAGNA-BULB, HUCKLOCK etc.

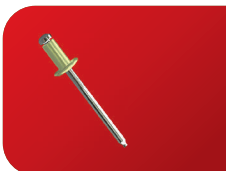
Technical parameters:

Model	RL 60N
Pulling Force	18.2 kN / 6 bar
Working Stroke	26 mm
Weight	2.6 kg
Force / Weight Ratio	7 kN/kg
Height	340 mm
Length	328 mm
Air Consumption	4.8 litres / rivet
Air Consumption / min	80 litres / min
Working Air Pressure	5–7 bar
Hose Connection	Ø 6 mm (G 1/4")



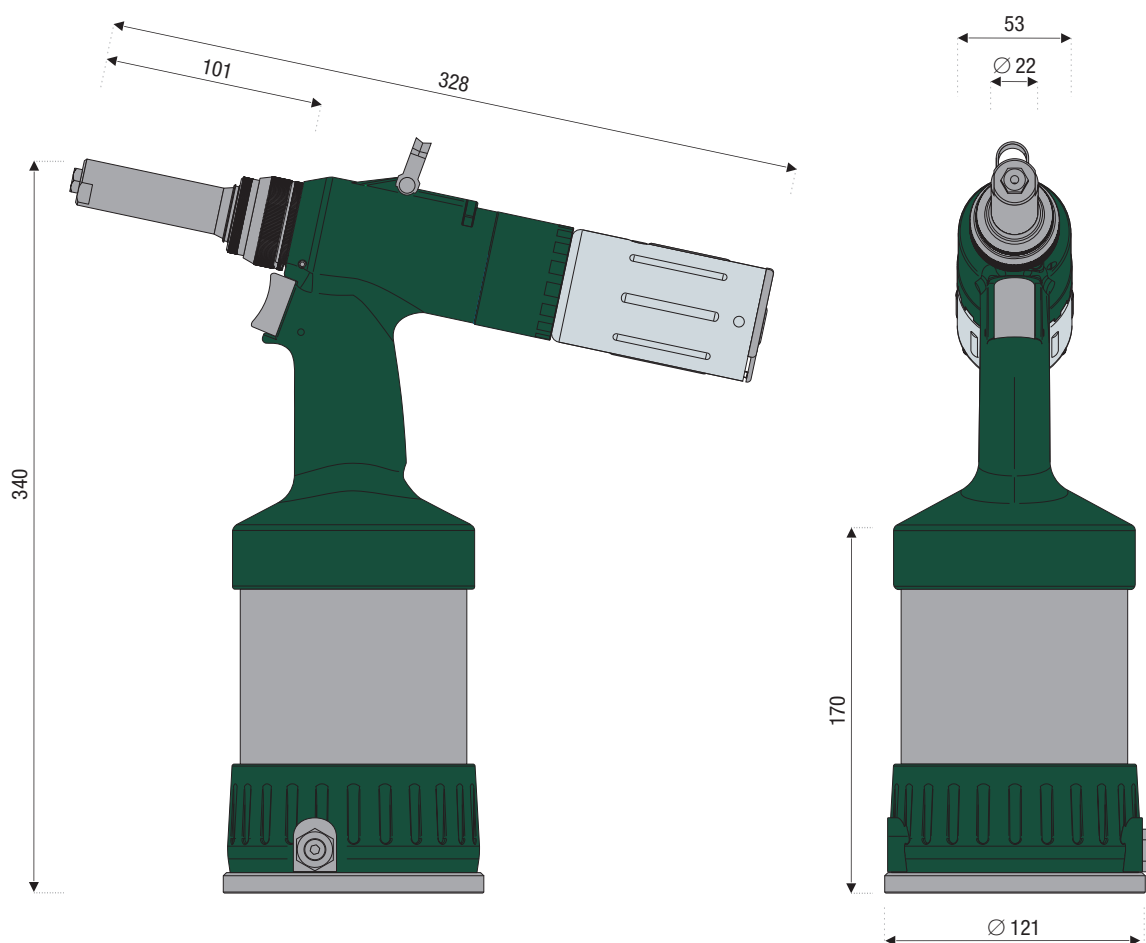
Description:

- use to install structural rivets
- high working stroke and pulling force
- smoothly adjusting vacuum control
- quick-release collecting container
- quick release nose and pulling head
- low noise
- simple operation and low maintenance
- ergonomic handle is comfortable to hold
- ergonomic trigger
- low transferred vibrations
- rotating air joint connection
- air intake can be moved to suit either left or right handed operator
- balancer hook
- spare nosepieces on the bottom of the tool
- safety mechanism prevents mandrels ejection when collecting container is removed
- safety over-pressure dump valve
- reliability verified in practice
- non slip base
- base cover prevents damage to workpiece



Dimensions of tool:

RL 60N



Standard accessories:

Description	Part No.
Nosepiece 4	87-0022
Nosepiece 4.8/5	87-0023
Nosepiece 6	87-0024
Nosepiece 6.4	87-0025
Jaws (3-piece)	87-0051
Mandrel Collector	87-0495
Air Joint Assembly	87-0281
Oil Refill Set	87-0187

Optional accessories:

Description	Part No.
Rebuild Kit Gr. Rivets 0,8	87-0195
Ring Sensor	99-0124
Hydraulic Oil - 1 Litre	87-0188