

Part No. 99-0105

# TC 20

Riveting tool with process control  
for installation of blind rivets from 2.4 to 5 mm

## Scope of use:

Ø of the rivet	2.4	3 / 3.2	4	4.8 / 5	6	6.4
Aluminium, Copper, Brass	✓	✓	✓	✓		
Steel	✓	✓	✓	✓		
Stainless	✓	✓	✓	✓		

Nosepieces included:

	✓	✓	✓		
--	---	---	---	--	--

## Technical parameters:

Model	TC 20
Pulling Force	12.5 kN / 6 bar
Working Stroke	15.8 mm
Weight	2.4 kg
Force / Weight Ratio	8.12 kN/kg
Height	274 mm
Length	362 mm
Air Consumption	2 litres/rivet
Air Consumption / min	70 litres / min
Working Air Pressure	7 bar
Hose Connection	Ø 6 mm (G 1/4")



## Description:

- integrated TC system which together with evaluation of the KRB unit ensures the perfect tool for monitoring and evaluation of the riveting process

### TC system indicates:

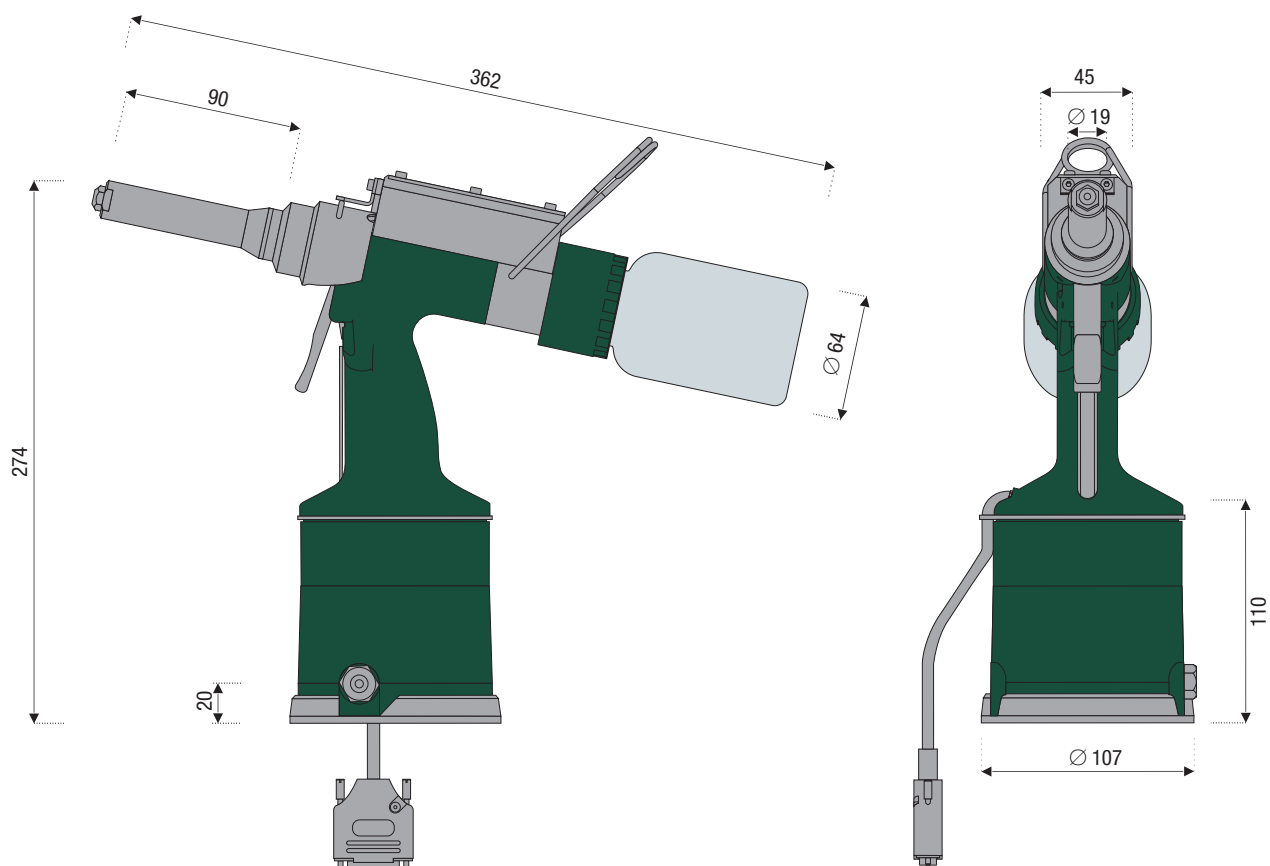
- Missing rivet
- Wrong type of rivet
- Damaged rivet
- Missing material
- Wrong setting of rivet
- Wrong alignment of material
- Damaged or defective equipment

- chip for automatic evaluation adjustment in evaluation unit
- air automatically shut off when not in use - minimising air consumption and operating costs
- low noise
- simple operation, reliability
- large range of additional equipment
- ergonomic handle is comfortable to hold
- low transferred vibrations
- rotating air joint connection
- air intake can be moved to suit either left or right handed operator
- quick release collecting container with adjustable air exhaust
- safety mechanism prevents mandrels ejection when collecting container is removed
- balancer hook
- base cover prevents damage to workpiece
- spare nosepieces on the bottom of the tool
- non slip base
- safety over-pressure dump valve
- reliability verified in practice



## Dimensions of tool:

# TC 20



### Standard accessories:

Description	Part No.
Nosepiece 4	87-0022
Nosepiece 4.8/5	87-0023
Nosepiece 6	87-0024
Nosepiece 6.4	87-0025
Jaws Set	87-0051
Mandrel Collector	87-0287
Air Joint Assembly	87-0281
Kit for Refilling of Oil	87-0187

### Optional accessories:

Description	Part No.
Hydraulic Oil for Tool - 1 Litre	87-0188
KRB 010	87-0147
Connecting Cable 3 m	87-0295