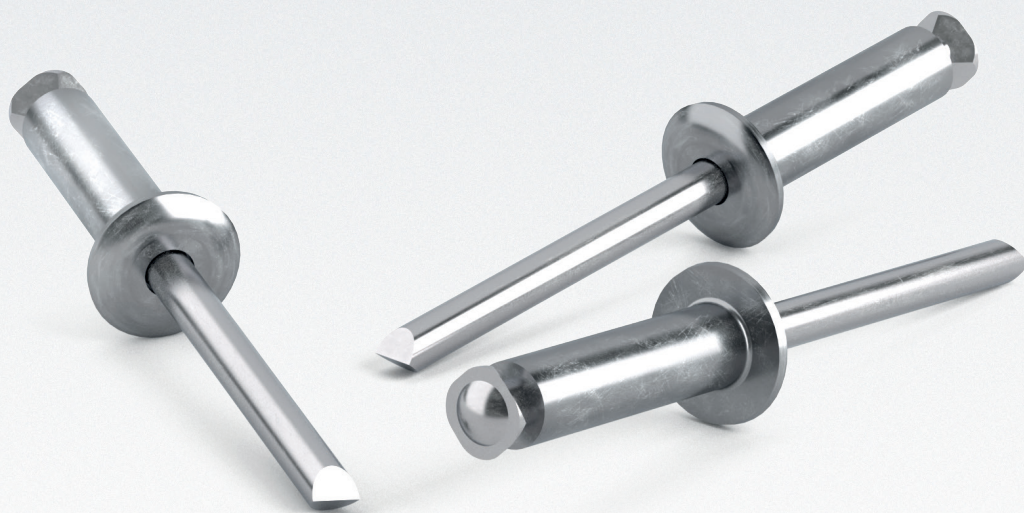


Fastening Technology / Blind Rivets

TIFAS[®] Peel Blind Rivets



Copyright

All texts, images, technical documents and other information contained in this catalogue are subject to copyright held by Titgemeyer GmbH & Co. KG. Any reproduction or disclosure, whether as a copy or other form of duplication or use, is expressly prohibited without the prior consent of Titgemeyer GmbH & Co. KG.

Registered trademarks

The trademarks LockBolt, POLYSTIC, pressti, RIEKO, RIV-TI, TIBOLT, TIBULB, TIFAS, TIOS and Titgemeyer are registered trademarks and the intellectual property of Titgemeyer GmbH & Co. KG.

Term of Delivery and Payment

All deliveries are carried out in compliance with our Terms of Delivery and Payment.

Limitation of liability

All technical data, performance descriptions, drawings, illustrations, measurements, weights or any other performance data, recommendations and guidelines contained in this catalogue and relating to the installation of parts that we supply are only binding if so expressly agreed. Moreover, the user is obliged at all times to check each individual use and decide whether the components that we supply can be used as needed.

We accept liability in the case of wilful intent, gross negligence and infringement of cardinal contractual duties as well as for errors in respect of express or implied representations. Notwithstanding this, any claims for compensation not explicitly agreed to in these terms and conditions are hereby excluded in the case of customers who are not consumers and, in the case of such customers, who are not consumers, at all events limited to the damage foreseeable at the time of concluding the contract as well as to the value of the delivered consignment. To the extent that our liability is excluded or limited, this shall extend accordingly to the personal liability of employees, legal representatives and vicarious agents. In all instances of gross negligence committed by vicarious agents, we shall solely be liable to customers, who are not consumers, to compensate for typically foreseeable damage. The statutory regulation governing the burden of proof shall remain unaffected. The aforementioned limitation of liability shall not apply to claims resulting from product liability, for damage resulting from injury to life, limb or health, or for damage to privately used property.

All technical specifications contained in this brochure are approximate and no guarantee is given as to their accuracy. Designs are subject to change.

Contents

Page

TIFAS® Peel blind rivets	Overview		5
	Dome head	Aluminium / steel	6
	Dome head	Stainless steel / stainless steel	7

TIFAS® Peel blind rivets



TIFAS® Peel blind rivets are especially suited for fastening hard to soft materials. As the rivet sleeve splits into 4 parts, the rivet claws its way into the soft material on its blind side, thereby ensuring that the load is more evenly distributed. The high clamp force makes for a tight connection. Can be used for large drill hole tolerances on the blind side. TIFAS® Peel blind rivets are thus very suited for joining wood, hardboard, plastic, fiberglass and similar materials.

Large blindside footprint.

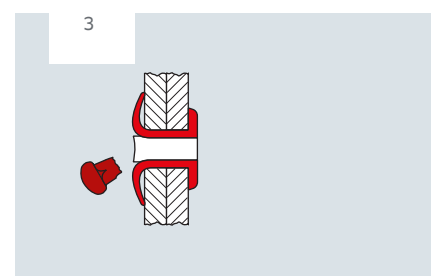
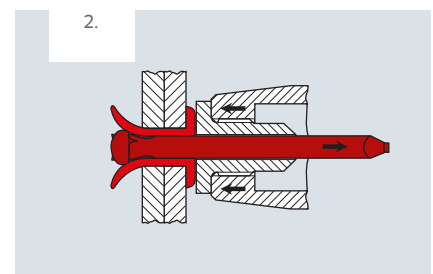
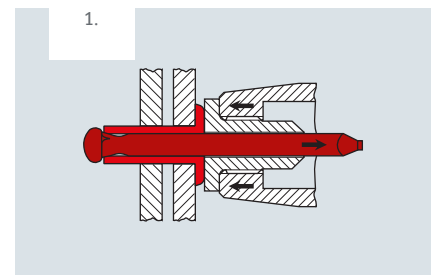


Sample applications

- General industry
- Automotive industry
- Construction industry
- Bodywork and vehicle manufacture
- Insulation technology
- Interior fittings

Benefits at a glance

- Ideal for hard/soft connections
- Large drill hole tolerances
- Quick and secure installation
- Permanent secure fixing
- Heatless installation means component will not warp.
- Eliminates extensive refinishing
- Fastens different types of material, such as metal or plastic
- Ideal for lightweight constructions

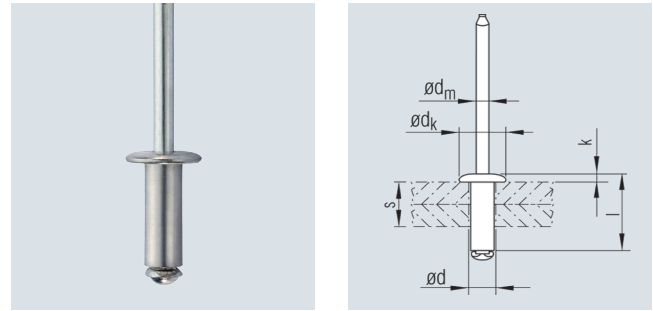


TIFAS® Peel blind rivets

Dome head

Material

■ Sleeve: Aluminum AlMg3.5/5
■ Mandrel: Steel, galvanised



Nominal \varnothing d [mm]	Bore \varnothing [mm]	Grip range s [mm]	Blind sleeve l +1.0-0.2 [mm]	Blind rivet head		Mandrel \varnothing d_m nom. [mm]	Nominal strength at break		Article No.
				\varnothing dk +0.5/-1.0 [mm]	Height k max [mm]		Shear [N]	Tensile [N]	
3.2	3.6 - 3.7	3.0 - 5.0	12.0	6	1.1	1.8	765	700	424 652 907
4.0	4.4 - 4.5	2.0 - 5.0	10.0	8	1.4	2.2	1200	1100	424 660 907
		6.0 - 9.0	14.0	8	1.4	2.2	1200	1100	424 662 907
		8.0 - 11.0	16.0	8	1.4	2.2	1200	1100	424 663 907
		20.0 - 25.0	30.0	8	1.4	2.2	1200	1100	424 667 907
4.8	5.3 - 5.4	3.0 - 6.0	12.0	9.5	1.5	2.7	1700	1600	424 671 907
		5.0 - 8.0	14.0	9.5	1.5	2.7	1700	1600	424 672 907
		9.0 - 12.0	18.0	9.5	1.5	2.7	1700	1600	424 674 907
		11.0 - 14.0	20.0	9.5	1.5	2.7	1700	1600	424 675 907
		12.0 - 16.0	22.0	9.5	1.5	2.7	1700	1600	424 676 907
		16.0 - 19.0	25.0	9.5	1.5	2.7	1700	1600	424 677 907
		19.0 - 24.0	30.0	9.5	1.5	2.7	1700	1600	424 678 907
24.0 - 29.0	35.0	9.5	1.5	2.7	1700	1600	424 679 907		

* Strengths at break relate to rivet failure.

Other designs available on request.

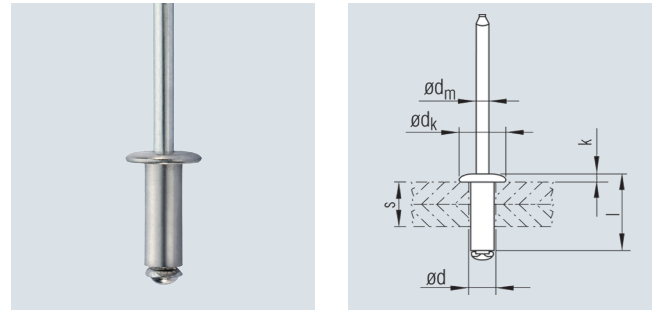
TIFAS® Peel blind rivets

Dome head

Material

Sleeve:
Stainless steel A2

Mandrel:
Stainless steel A2



Nominal \varnothing d [mm]	Bore \varnothing [mm]	Grip range s [mm]	Blind sleeve l +1.0-0.2 [mm]	Blind rivet head		Mandrel \varnothing d _m nom. [mm]	Nominal strength at break		Article No.
				\varnothing dk ±0.6/-1.2 [mm]	Height k max [mm]		Shear [N]	Tensile [N]	
4.0	4.6 - 4.7	1.5 - 4.0	10.0	7.9	1.7	2.6	3000	1000	424 881 000

* Strengths at break relate to rivet failure.

Other designs available on request.

About us

Titgemeyer is a leading international provider in the fields of fastening technology, automation solutions, and industrial components. With over 500 employees across 11 European locations, this family-owned company, headquartered in Osnabrück, Germany, can look back on 125 years of success. Its portfolio comprises around 20,000 products, developed and manufactured both in series and in customised versions to meet specific customer needs.

Headquarters

Titgemeyer GmbH & Co. KG
Hannoversche Straße 97
49084 Osnabrück / DE

PO Box 4320
49033 Osnabrück / DE

T +49 541 5822-0
E info@titgemeyer.com
W titgemeyer.com



Sales locations

Titgemeyer Austria GmbH
Brunner Straße 77 - 79
1230 Wien / AT

T +43 1 667 9040-0
E vertrieb-tat@titgemeyer.com
W titgemeyer.at

Titgemeyer CZ spol. s r. o.
U Vodárny 1506
397 01 Písek / CZ

T +420 732 598 375
E obchod@titgemeyer.com
W titgemeyercz.cz

Titgemeyer Polska sp. z o.o.
Cypriana Bazylika 17
98-200 Sieradz / PL

T +48 438 282 015
E sales-pl@titgemeyer.com
W titgemeyer.pl

Titgemeyer Skandinavien A/S
Lunikvej 32
2670 Greve / DK

T +45 4360 0966
E info@titgemeyer.dk
W titgemeyer.dk

Titgemeyer Sverige
Box 3218
550 03 Jönköping / SE

T +46 (0) 3612 8350
E info@titgemeyer.se
W titgemeyer.se

Titgemeyer Finland
Hatanpään valtatie 24
33100 Tampere / FI

T +358 (0) 400 448 401
E info@titgemeyer.fi
W titgemeyer.fi

Production sites

Cirteq Limited
'Hayfield' Colne Road,
Glusburn, Keighley,
West Yorkshire, BD20 8QP

T +44 1535 633 333
E sales@cirteq.com
W cirteq.com

Titgemeyer (UK) Limited
A2 Link One Industrial Park
George Henry Road
DY4 7BU Tipton / UK

T +44 121 557 9777
E tuk-sales@titgemeyer.com
W titgemeyer.co.uk

Titgemeyer France
Titgemeyer GmbH & Co. KG
Hannoversche Straße 97
49084 Osnabrück / DE

T +33 7 6052 8753
E marc.gaussin@titgemeyer.com
W titgemeyer.fr

Titgemeyer Tools & Automation spol s.r.o.
U Vodárny 1506
397 01 Písek / CZ

T +420 732 657 298
E tta-sales@titgemeyer.com
W titgemeyer.com/en/tools-automation/