

Fastening Technology / Threaded Inserts

Jack Nut[®]

Blind Rivet Nuts



Contents

			Page
Jack Nut® blind rivet nuts	Overview		4
	Standard head	Steel, galvanised	6

Jack Nut® blind rivet nuts



Soft or brittle materials pose special challenges for fastening elements. Jack Nut® blind rivet nuts offer load-bearing threads for thin-walled and problematical materials. The distorted section expands into 4 legs on the blind side. Their ability to distribute the load across a large area on the blind side of the material radically improves the fastener's push-out resistance. Suitable for use in plasterboard, plastic, hardboard, plywood, pressboard, etc.

In addition to our galvanised steel Jack Nut®, we are also able to manufacture blind rivet nuts using other combinations of material and with other finishes depending on your particular needs, including for the automotive industry. A Raintite® coating can be applied as an optional extra to guard against moisture. A perfect PVC coating guards against scratching and galvanic corrosion.



All technical data is intended as a guide but is not binding! Subject to change without notice.

Benefits at a glance

- Especially suited for soft, thin or brittle materials
- Large blind side footprint
- Wide grip range
- Secure fit
- High tensile strength
- Quick and easy one-sided installation

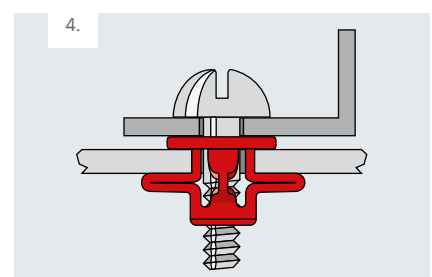
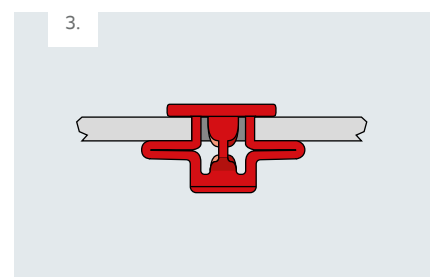
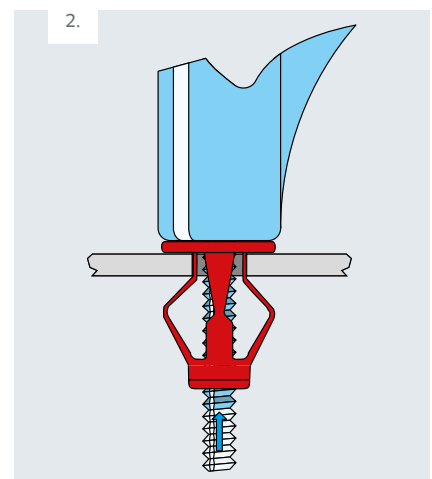
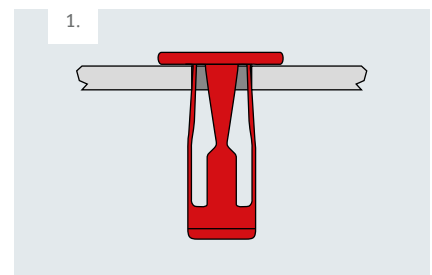
Easy, rational and time-saving installation

1. Insert Jack Nut® blind rivet nuts into the drilled hole
2. Upset the Jack Nut® blind rivet nut
3. The Jack Nut® blind rivet nut is fastened
4. Screw on the part to be attached

To ensure that the Jack Nut® blind rivet nuts are perfectly installed, we recommend using the JNT2200 hand tool.

Form of delivery

Threads: M4, M5, M6
 Material: steel
 (AISI 1008/1010)
 Surface: 3 - 5 µm galvanised and passivated, Cr -6 free, RoHS-compliant

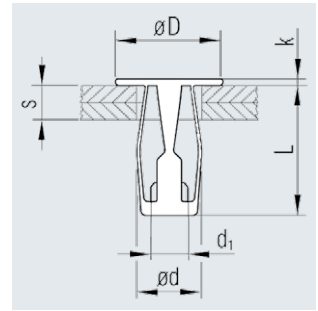


Jack Nut® blind rivet nuts

Standard head

Material

Steel, galvanised



Thread size d_1	Grip range s [mm]	Hole \varnothing [mm]	Shank \varnothing d [mm]	Head \varnothing D [mm]	Head height k [mm]	Shank length L [mm]	Article No.
M4	0.4 - 4.8	8.4	7.8	11.9	1.9	14.6	331 140 000
	4.8 - 9.5	8.4	7.8	12.2	1.9	21.0	331 142 000
M5	0.4 - 4.8	10.1	9.6	13.5	1.9	16.0	331 150 000
	4.8 - 9.5	10.1	9.6	13.9	1.9	21.6	331 151 000
M6	0.4 - 4.8	11.4	11.1	15.9	1.9	16.3	331 160 000
	4.8 - 9.5	11.4	11.1	15.9	1.9	21.1	331 161 000

Other designs available on request.

Copyright

All texts, images, technical documents and other information contained in this catalogue are subject to copyright held by Titgemeyer GmbH & Co. KG. Any reproduction or disclosure, whether as a copy or other form of duplication or use, is expressly prohibited without the prior consent of Titgemeyer GmbH & Co. KG.

Registered trademarks

The trademarks BÖRTI, GETO, GETO therm, GETOVAN, GTO, LockBolt, MEGA PORT, plasti van, PLYFIX, POLYSTIC, press-ti, RIEKO, RIV-TI, ROLL-TO, TIBOLT, TIBULB, TIFAS, TILA, TIOS and Titgemeyer are registered trademarks and the intellectual property of Titgemeyer GmbH & Co. KG.

Term of Delivery and Payment

All deliveries are carried out in compliance with our Terms of Delivery and Payment.

Limitation of liability

All technical data, performance descriptions, drawings, illustrations, measurements, weights or any other performance data, recommendations and guidelines contained in this catalogue and relating to the installation of parts that we supply are only binding if so expressly agreed. Moreover, the user is obliged at all times to check each individual use and decide whether the components that we supply can be used as needed.

We accept liability in the case of wilful intent, gross negligence and infringement of cardinal contractual duties as well as for errors in respect of express or implied representations. Notwithstanding this, any claims for compensation not explicitly agreed to in these terms and conditions are hereby excluded in the case of customers who are not consumers and, in the case of such customers, who are not consumers, at all events limited to the damage foreseeable at the time of concluding the contract as well as to the value of the delivered consignment. To the extent that our liability is excluded or limited, this shall extend accordingly to the personal liability of employees, legal representatives and vicarious agents. In all instances of gross negligence committed by vicarious agents, we shall solely be liable to customers, who are not consumers, to compensate for typically foreseeable damage. The statutory regulation governing the burden of proof shall remain unaffected. The aforementioned limitation of liability shall not apply to claims resulting from product liability, for damage resulting from injury to life, limb or health, or for damage to privately used property.

About us

The Titgemeyer Group is a leading company for fastening technology and vehicle components at 15 locations in Europe.

The traditional company develops, manufactures and sells more than 30,000 fastening elements, tools and vehicle components – in series production and on request.

Headquarters

Titgemeyer GmbH & Co. KG
Hannoversche Straße 97
49084 Osnabrück / DE

PO Box 4320
49033 Osnabrück / DE

T +49 541 5822-0
E info@titgemeyer.com
W titgemeyer.com



Sales locations

Titgemeyer Austria GmbH
Brunner Straße 77 - 79
1230 Wien / AT

T +43 (0) 1/6 67 90 40 - 0
E sales@titgemeyer.com
W titgemeyer.at

Titgemeyer CZ spol. s r. o.
U Vodárny 1506
397 01 Písek / CZ

T +420 382 2067 - 25
E sales@titgemeyer.com
W titgemeyercz.cz

Titgemeyer Polska sp. z o.o.
Cypriana Bazylika 17
98-200 Sieradz / PL

T +48 (0) 43 828 20 - 15
E sales@titgemeyer.com
W titgemeyer.pl

Titgemeyer Skandinavien A/S
Lunikvej 32
2670 Greve / DK

T +45 4360 0966
E info@titgemeyer.dk
W titgemeyer.dk

Titgemeyer Skandinavien A/S
Box 3218
550 03 Jönköping / SE

T +46 36 128350
E info@titgemeyer.se
W titgemeyer.se

Titgemeyer Skandinavien A/S
Korkeakoulunkatu 7
33720 Tampere / FI

T +358 (0) 400 448 401
E info@titgemeyer.fi
W titgemeyer.fi

Titgemeyer Turkey Baglanti Teknolojileri San. ve Tic. A.S.
Barbaros Mah. Is Merkezi No.1
Kat: 8 D.58
34746 Atasehir, Istanbul / TUR

T +90 (0) 21 66 88 20 - 27
E sales@titgemeyer.com.tr
W titgemeyer.com.tr

Titgemeyer (UK) Limited
A2 Link One Industrial Park
George Henry Road
DY4 7BU Tipton / UK

T +44 (0) 1 21 5 57 97 - 77
E sales@titgemeyer.co.uk
W titgemeyer.co.uk

Production sites

Cirteq Limited
'Hayfield' Colne Road,
Glusburn, Keighley,
West Yorkshire, BD20 8QP

T +44 1535 633333
E sales@cirteq.com
W cirteq.com

Titgemeyer Tools & Automation spol s.r.o.
U Vodárny 1506
397 01 Písek / CZ

T +42 382 2067 - 11
E info@rivetec.cz
W rivetec.cz

RIEKO GmbH
Robert-Bosch-Straße 9
72124 Pliezhausen / DE

T +49 7127 9744 - 0
E info@rieko-web.com
W rieko-web.com

Titgemeyer GmbH & Co. KG Werk Lotte
Daimlerstraße 13 - 15
49504 Lotte / DE

T +49 5404 9666 - 0
E info@titgemeyer.com
W titgemeyer.com

TS Gesellschaft für Transport- und Sicherungssysteme mbH
Haßlinghauser Straße 156
58285 Gevelsberg / DE

T +49 541 5822 - 900
E ts@cargocontrol.de
W wir-sind-ladungssicherung.de